

1 2 3 4 5 6 7 8

A

B

C

D

E

F

G

H

A

B

C

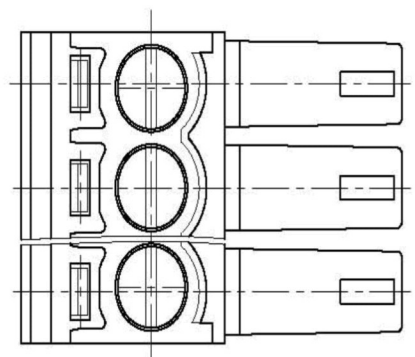
D

E

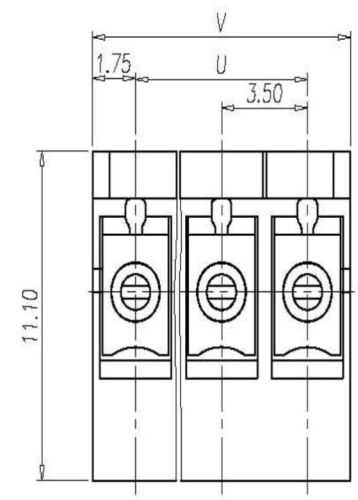
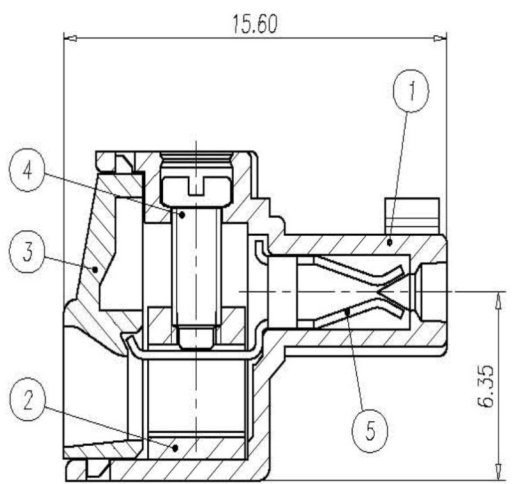
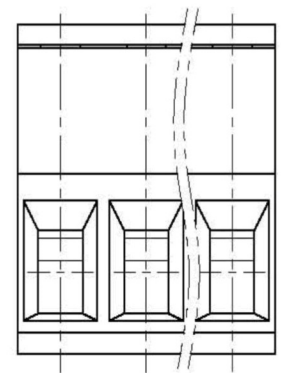
F

G

H



P	2	3	4	5	6	7	8	9	10	11	12	13
U	3.50	7.00	10.50	14.00	17.50	21.00	24.50	28.00	31.50	35.00	38.50	42.00
V	7.20	10.70	14.20	17.70	21.20	24.70	28.20	31.70	35.20	38.70	42.20	45.70
P	14	15	16	17	18	19	20	21	22	23	24	
U	45.50	49.00	52.50	56.00	59.50	63.00	66.50	70.00	73.50	77.00	80.50	
V	49.20	52.70	56.20	59.70	63.20	66.70	70.20	73.70	77.20	80.70	84.20	



- NOTES:
- Rating: 300V 8A(IEC 125V 12A)
PITCH: 3.50mm
 - Insulation Withstands Voltage:
AC 2000V at 1 minute
 - Insulation Resistance:
500MΩ or more at DC500V
 - Using Temperature Range:
-40°C~+105°C
 - Suitable Electric Wire: AWG 28~16
 - Screw Torque Value: 2kgf-cm
 - RoHS compliance.

Normal Geometric Tolerancing			
	-	//	⊥
0 to 100	0.2		0 to 10
over 100 to 150	0.3	0.3	over 10
over 150	0.5		0.3
Total Pitch Tolerances		Normal dimension Tolerances	
0<U<=30	±0.20	0~30	±0.25
30<U<=53	±0.25	over 30~53	±0.30
53<U<=70	±0.30	over 53~70	±0.35
70<U<=90	±0.35	over 70~90	±0.44
90<U<=115	±0.44	over 90~115	±0.55
115<U<=150	±0.55	over 115~150	±0.70

5	SOLDER PIN	BRONZE	Tin Plated
4	SCREW	STEEL	M2/Zn Plated
3	COVER	PA66	UL94-V0 GREEN
2	WIRE CAGE	COPPER-ALLOY	M2/Ni Plated
1	HOUSING	PA66	UL94-V0 GREEN
ITEM	NAME OF PART	MATERIAL	NOTES

RoHS Compliant



APPD.	PJ	TOLERANCE 0 ± .00 ± ANG. ±	PART NAME 3.5mm TERMINAL BLOCK XX PIN STRAIGHT H=15.5mm 16-28AWG NI PLATED ROHS LOW-LAED
DWG.	Karol		
DATE	2012/4/6	UNIT	SIZE. A 4
		PAGE	REV. A
		1 OF 1	

PART NO.	SM C09 0916-XX
----------	----------------

1 2 3 4 5 6 7 8